

KEW INSULATION TESTERS

Model 3165 and 3166 are a simple, low cost, single range insulation tester. Miniaturized and weighing 330g only, they are available in two versions having 500V/1000MΩ and 1000V/2000MΩ ranges respectively.

MODEL 3165/3166



- 500V/1000MΩ (Model 3165)
- 1000V/2000MΩ (Model 3166)
- Expanded megohm scale for easy reading.
- New robust housing case to prevent damage.
- AC voltmeter scale for easy reading.
- Neck strap for both hand's operation.

MODEL 3321/3322/3323



- AC Voltmeter with linear, easy-to-read scales.
- Auto discharge function; any charge stored in the circuit under test will be automatically discharged after testing.
- Designed to meet IEC61010-1 CAT. III 600V
- Color-coded scales for easy reading.
- Back light function to facilitate working at dimly illuminated locations.
- Test lead set with remote control switch.
- Shoulder strap for hands free.
- Test lead set can be kept in a carrying case.

Specifications

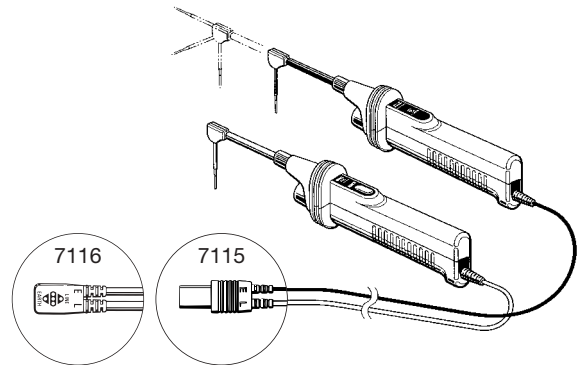
MODEL	Model 3165	Model 3166
Insulation Resistance		
DC Test Voltage	500V	1000V
Measuring Range	1000MΩ	2000MΩ
Mid-Scale Value	20MΩ	50MΩ
Primary Effective Measuring Range Accuracy	1~500M	2~1000M
	±5% of indicated value	
Secondary Effective Measuring Range Accuracy	500~1000M	1000~2000M
	±10% of indicated value	
AC Voltage	600V	
Accuracy	±3% of full scale value	
Withstand Voltage	4000V AC for 1 minute	
Power Source	R6P(AA)(1.5V) × 4	
Dimensions	90(L) × 137(W) × 40(D)mm	
Weight	330g approx.	
Accessories	7025(Test leads) 9067(Pouch for test lead) Neck Strap R6P(AA) × 4 Instruction Manual	

Selection Guide

MODEL	3321	3322	3323
Test Voltage	250V 500V 1000V	125V 250V 500V	25V 50V 100V
Illuminated scale	●	●	●
Automatic discharge	●	●	●
Remote control switch	●	●	●

Optional Accessories

Model 7115/7116 Extension Probe



Specifications

MODEL	Model 3321	Model 3322	Model 3323
Insulation Resistance			
DC Test Voltage	250V/500V/1000V	125V/250V/500V	25V/50V/100V
Measuring Ranges	50MΩ/100MΩ/2000MΩ	20MΩ/50MΩ/100MΩ	10MΩ/10MΩ/20MΩ
Mid-Scale Value	1MΩ/2MΩ/50MΩ	0.5MΩ/1MΩ/2MΩ	0.2MΩ/0.2MΩ/0.5MΩ
Primary Effective Measuring Ranges	0.05~20MΩ(250V) 0.1~50MΩ(500V) 2~1000MΩ(1000V)	0.02~10MΩ(125V) 0.05~20MΩ(250V) 0.1~50MΩ(500V)	0.01~5MΩ(25V) 0.01~5MΩ(50V) 0.02~10MΩ(100V)
Accuracy	±5% of Indicated Value		
Secondary Effective Measuring Ranges	20~50MΩ(250V) 50~100MΩ(500V) 1000~2000MΩ(1000V)	10~20MΩ(125V) 20~50MΩ(250V) 50~100MΩ(500V)	5~10MΩ(25V) 5~10MΩ(50V) 10~20MΩ(100V)
Accuracy	±10% of Indicated Value		
AC Voltage	600V	600V	300V
Accuracy	±3% of Full Scale Value		
Safety Standard	IEC61010-1 CAT. III 600V Pollution Degree 2		
Withstand Voltage	7400V AC for 1 minute		
Power Source	R6P(AA)(1.5V) × 6		
Dimensions	105(L) × 158(W) × 70(D)mm		
Weight	520g approx.		
Accessories	7076 (Test Lead with Remote Control Switch) 7081 (Guard Connection Lead) Model 3321 only 8017 (Extension Prod) 9089 (Carrying Case) R6P (AA) × 6 Instruction Manual		
Optional	7115 (Extension Probe)		