

Microwave Oven Calibration Comparison System

Improve Performance, Meet US Government Requirements

TEST MICROWAVE OVEN COMPLIANCE TEST METERS TO US
CDRH/FDA/DHHS DAILY AND 30-DAY TESTING REQUIREMENTS

Standard System includes:

- HI-2790B Power/Control Module
- HI-1710 Local Calibration Reference Meter
- Anechoic Test Chamber with slotted-end waveguide antenna and probe rotation fixture



The Holaday HI-2790B Calibration Comparison System from ETS-Lindgren, complies with US Government (CDRH/FDA) requirements for evaluating calibration consistency of microwave oven survey meters used by oven manufacturers in compliance testing.

The new HI-2790B offers a new, custom power and control module that improves performance, simplifies operation and servicing of the unit.

The integrated power/control module combines the function

of the microwave source, power monitor, power sensing, and closed-loop level control required on previous models. Improved power level and frequency stability, along with digital display of all operating parameters, provide easier operation, improved operating stability, and allows simple replacement module servicing. All the microwave power generation, control, and monitoring functions are contained in one user-replaceable module. The broad dynamic range of the

HI-2790B allows this single new unit to replace two earlier models.

With this new power/control system, only the HI-1710 Local Calibration Reference meter requires annual calibration to keep this system fully acceptable for CDRH compliance monitoring.

USA

Tel +1.512.531.6400
Fax +1.512.531.6500

Finland

Tel +358.2.8383.300
Fax +358.2.8651.233

UK

Tel +44.1438.730.700
Fax +44.1438.730.751

France

Tel +33.1.48.65.34.03
Fax +33.1.48.65.43.69

China

Tel +8610.8275.5086
Fax +8610.8275.5537

Japan

Tel +81.3.3813.7100
Fax +81.3.3813.8068

Specifications:

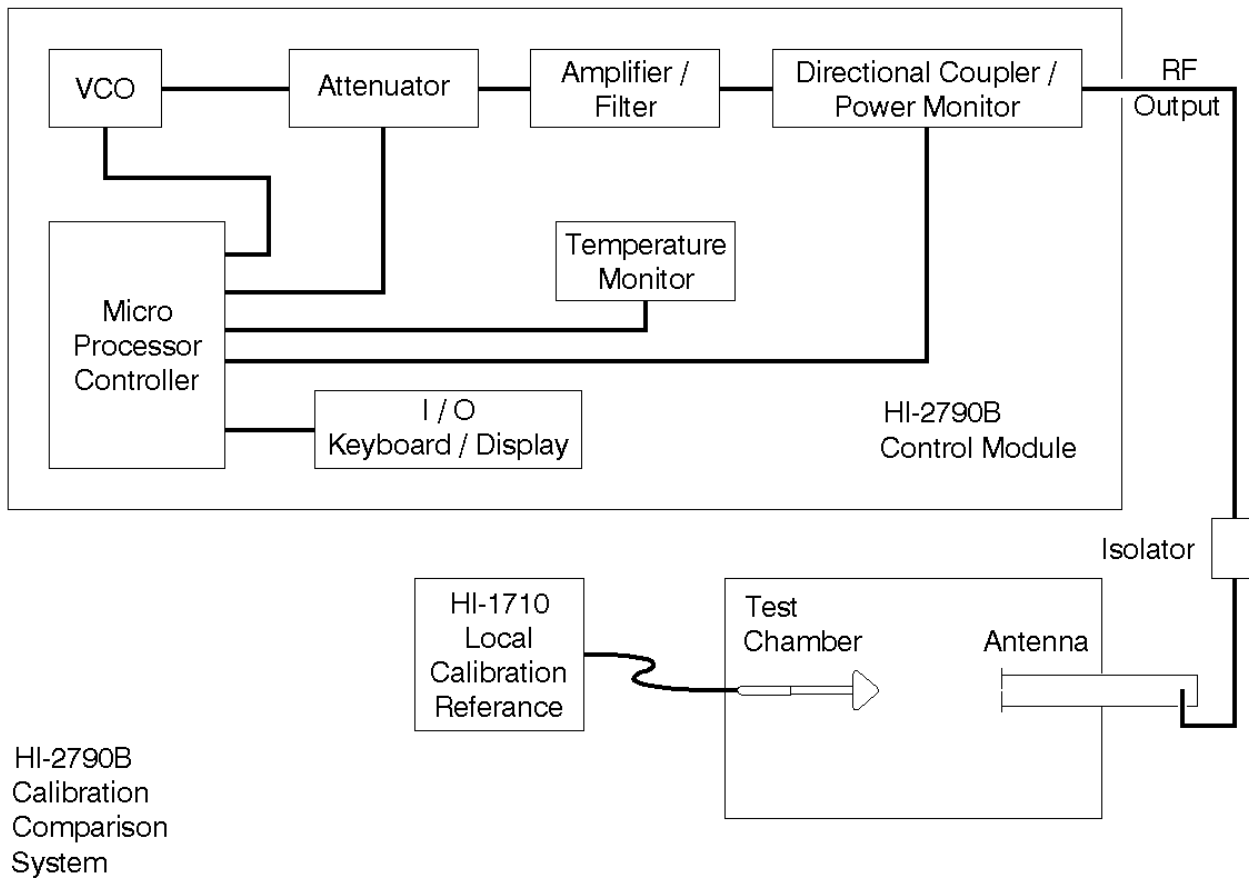
Operating Frequency: 2.45 GHz
 Frequency Stability: 50 ppm/°C. ± 0.0025%
 Dynamic Range: 0.1 – 5+ mW/cm² *
 Input Power: 100-240 VAC, 50-60 Hz
 Local Calibration Reference: HI-1710 Microwave Survey System (LCR)



* Plane-wave equivalent power density at probe test location

Mechanical:

Size: 770 wide x 1040 deep x 1230 high (1360 with Control Module) mm
 Weight: 45 kg (shipping)
 Support: Castor wheels for ease of location



Calibration Services

Holiday offers complete calibration services for all our instruments. Calibration of Holiday Microwave Oven survey Meters is traceable to the US National Institute of Standards and Technology (NIST) through the US CDRH/FDA/DHHS.

USA Tel +1.512.531.6400 Fax +1.512.531.6500	Finland Tel +358.2.8383.300 Fax +358.2.8651.233	UK Tel +44.1438.730.700 Fax +44.1438.730.751	France Tel +33.1.48.65.34.03 Fax +33.1.48.65.43.69	China Tel +8610.8275.5086 Fax +8610.8275.5537	Japan Tel +81.3.3813.7100 Fax +81.3.3813.8068
--	--	---	---	--	--